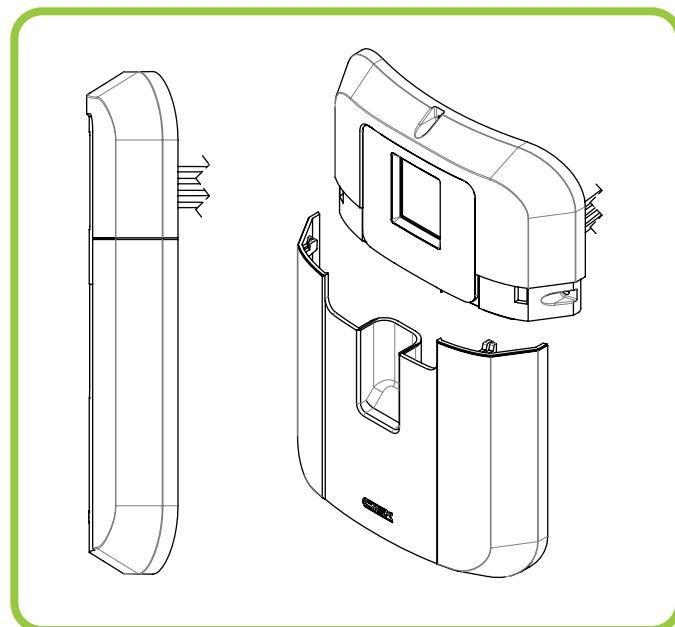
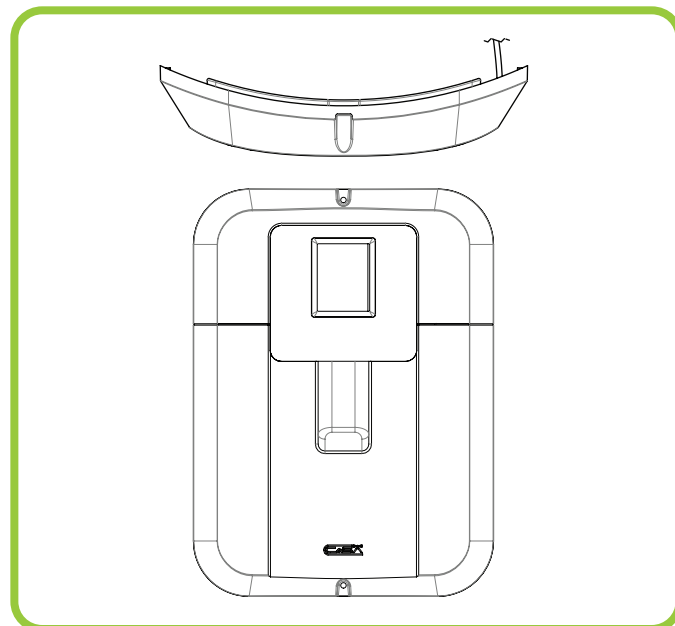
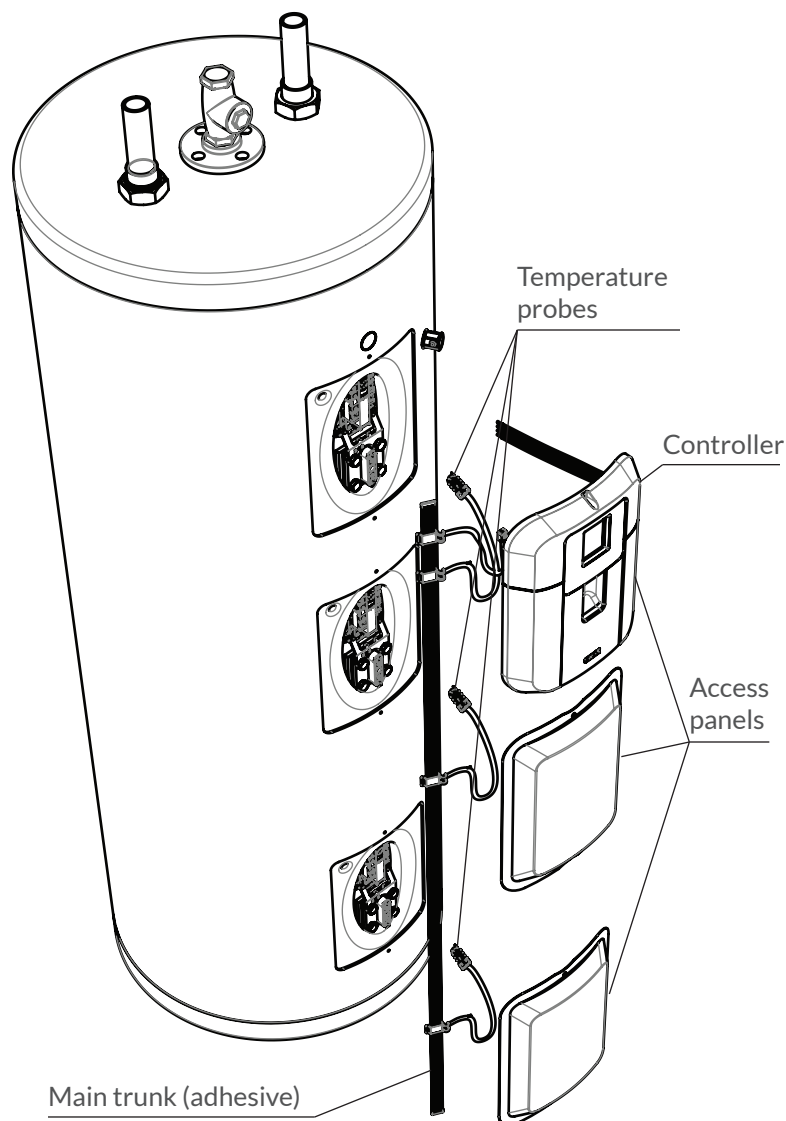


TRITON

par | by
CASA



- Retrofit or factory installed
- Fits Giant 2 and 3 element tanks
- Optional leak detection/valve operation
- Active asset monitoring
- Embarked energy profiling
- Secure dual layer encryption

CaSA Connected Appliances Ltd
2510 rue de l'Aéroport | St-Mathieu-de-Beloeil
QC | J3G 0C9 | Canada

casaconnect.com

TRITON

par | by
CASA



Technical Data

120/208/240 VAC, 50/60 Hz
4 wires (dual pole)

Maximum load :
30 A Resistive
7200 W @ 240 VAC

Digital Probes:
DS18B20 x3

Setpoint range:
OFF to MAX (0°F to 145°F)

Resolution:
0.5°C (1°F)

Network :
IEEE 802.11 b/g/n 2.4 Ghz
IEEE 802.3 - Wired Ethernet
Android / iOS compatible

Display :
240 x 320 pixels
Colour touchscreen

CaSA Connected Appliances Ltd
2510 rue de l'Aéroport | St-Mathieu-de-Beloeil
QC | J3G 0C9 | Canada

casacconnect.com