

Getting started with your Connected

Thermostat

- 1 Install Caleo
- 2 Connect to your WiFi network
- 3 Go online for remote access



Installation has to be done in accordance of the authority having jurisdiction, compliant with American NFPA72 (NEC) in the USA OR Canada CEC part 1 in Canada. Do not over ride or supersede protective limiting and disconnecting controls integral to the heating device.

! WARNING

Risk of electrical shock
Disconnect power before servicing

Installation of line-voltage equipment should be performed by a qualified electrician and be done in compliance of local code. Refer to your licensed electrician for more information.

Required for installation :

- Flat or Philips screwdriver
- Your home Wi-Fi network password
- The name of your Wi-Fi network if it is hidden
- Your Android or iOS mobile phone

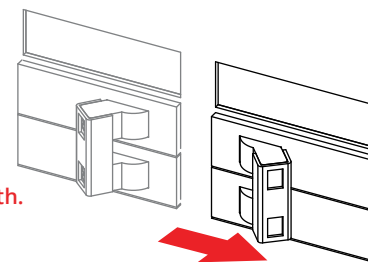
120/240Vac | 50/60Hz | 16 A

1

Switch power OFF to your baseboard heater



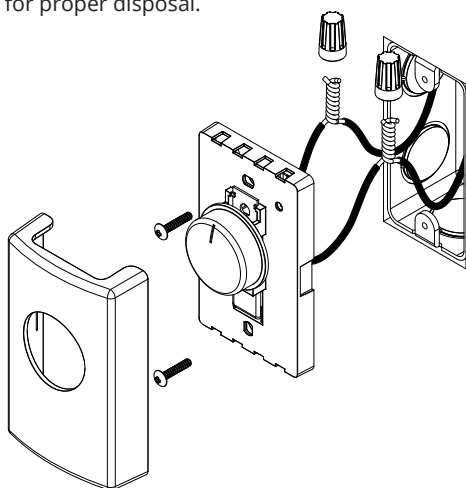
DANGER! Ensure the baseboard and thermostat are no longer under power before proceeding.
Electrical shock may result in serious injury or death.



2

Remove your old thermostat

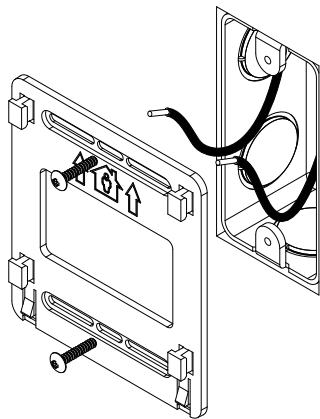
Remove faceplate and mounting screws. You may discard screws and wire nuts, but electronic units should be brought to your local recycling facility for proper disposal.



Install the Caleo wall mounting plate

Placing it right side up, use the provided screws to install the wall mounting plate to the junction box.

Note: The slots allow you to offset the position of the thermostat if necessary.

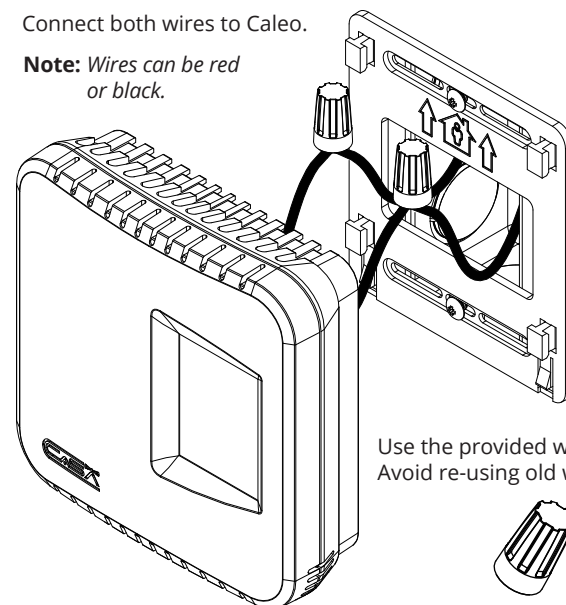


3

Connect wires

Connect both wires to Caleo.

Note: Wires can be red or black.

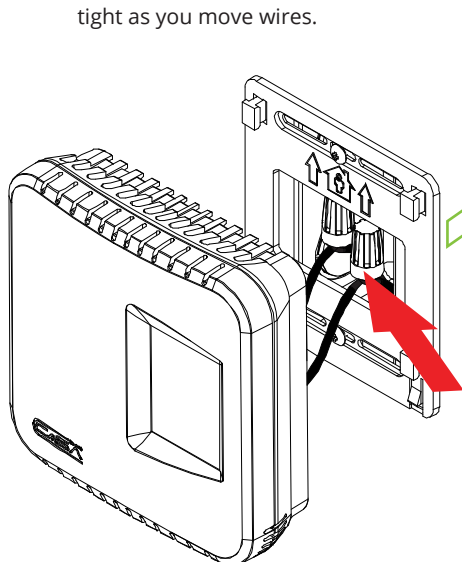


Use the provided wire nuts. Avoid re-using old wire nuts.

4

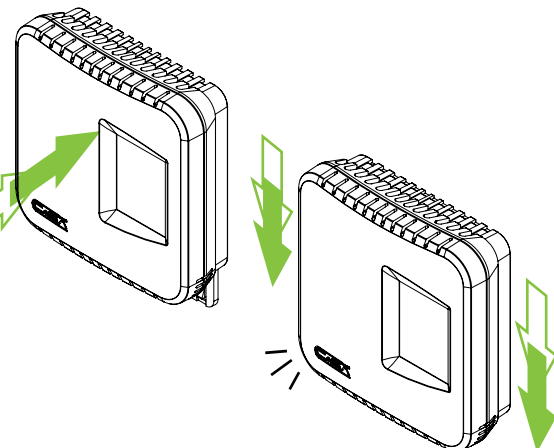
Place wires

Push wires back into the junction box. Ensure wire nuts are screwed on tight as you move wires.



Place Caleo on wall mounting plate

Align the openings on the back of Caleo with the pegs of the wall mounting plate.



Lock Caleo in place

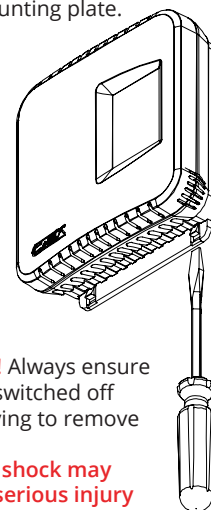
Push down on Caleo until you hear a "click" from the retaining tabs on the wall mounting plate.

To remove Caleo from the wall mounting plate

Push a flat screwdriver into the retaining tabs and slide Caleo free of the wall mounting plate.



DANGER! Always ensure power is switched off before trying to remove Caleo.
Electrical shock may result in serious injury or death.

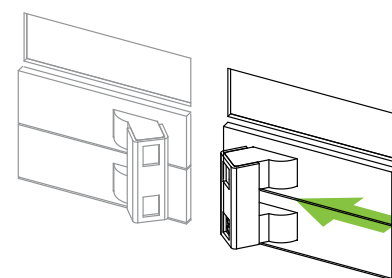


5

Switch power back ON to your baseboard



DANGER! Ensure the thermostat is properly installed and secured to the junction box before resuming power.
Electrical shock may result in serious injury or death.



✓ The installation is complete!
Now on to CONFIGURATION

6

Download the App

If you haven't done so yet, download and install the Caleo app on your phone or tablet.



Install the Caleo app as you normally would and launch it once done.

7

Open the App

Find and open the Caleo app on your device. You will be greeted by an on-boarding activity that will explain the next few steps. These steps are specific to your device under Android or iOS.



Repeat the process for every new Caleo you wish to control.



DONE!

Caleo is now configured to connect to your WiFi network. Welcome to a new era in home comfort and energy efficiency.

Visit guide.casaconnect.com to learn more about what Caleo can do for you.



Need help?
support.casaconnect.com